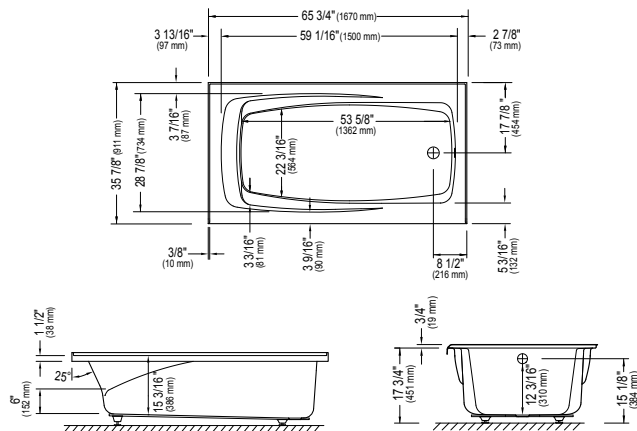


# VELONA 3666

WITH INTEGRATED TILING FLANGE



65 3/4" x 35 7/8" x 17 3/4" [64 gallons]



VELONA SKIRT 66"



## GENERAL SPECIFICATIONS

- Acrylic thermoformed and reinforced with fiberglass
- Gloss finish resistant to stains and discoloration
- Immersion 12 3/16" - Adjustable legs
- Weight: 60 pounds - Textured bottom

## GENERAL OPTIONS

Acrylic colors: white biscuit* or bone* (allow 3 weeks for delivery)	
Available in left or right version (integrated tiling flange)	
66" Velona skirt (not factory-installed)	E12.16866.0000
White mood light: white, biscuit, bone or chrome finish	
Handle: white, biscuit, bone or chrome finish (max. 2) (submit drawing with order)	95.7077.106.XX
Drain D105 (20"): chrome finish	62.4020.102.60
Black neck pillow (12" x 4")	18.6000.100.20

## WHIRLPOOL OPTIONS

Finish for Whirlpool jets: white, biscuit or bone  
Other: chrome

Inline heater 110 V

## ACTIV-AIR OPTIONS

Finish for Activ-Air jets: white, biscuit or bone  
Other: chrome

Blower hose extension 36"	95.5013.116.00
Blower hose extension 72"	95.5013.167.00
Blower hose extension 96"	95.5013.168.00

Blower extensions are necessary when the blower is located more than 4' from the pneumatic control.

DIMENSIONS ARE NOMINAL AND MAY VARY BY ± 1/4" (6MM).  
WEIGHT MAY VARY BY ± 5 LBS (2,3KG).  
DRAWING IS NOT SCALE. THESE DIMENSIONS MAY BE CHANGED AT THE MANUFACTURER'S DISCRETION.  
CONSULT THE INSTALLATION GUIDE FOR MORE INFORMATION.

	Bathtub only left drain	E10.16825.4500
	Bathtub only right drain	E10.16825.4000

	Whirlpool left drain	E15.16825.450030
	Whirlpool right drain	E15.16825.400030
	Included: 6 round jets, two air controls, one 7.5 A pump and one pneumatic control.	

	Activ-Air left drain	E15.16825.450010
	Activ-Air right drain	E15.16825.400010
	Included: 35 Activ-Air micro-jets, one blower with heating element (200 W) and one pneumatic control.	

	Whirlpool/Activ-Air combo left drain	E15.16825.450031
	Whirlpool/Activ-Air combo right drain	E15.16825.400031
	Included: 6 round jets, 34 Activ-Air micro-jets, two air controls, one 7.5 A pump, one blower with heating element (200 W) and two pneumatic controls.	

- ➔ : Whirlpool jets
- : Activ-Air jets
- S : Suction
- T : Whirlpool control
- A : Activ-Air control
- P : Pump
- L : Light control
- ≡ : Mood light (option)

Note: The blower is never installed.



**Certification ECORESPONSIBLE**  
First manufacturer of bathroom products in North America to be certified ecoresponsible.



**Produits Neptune**

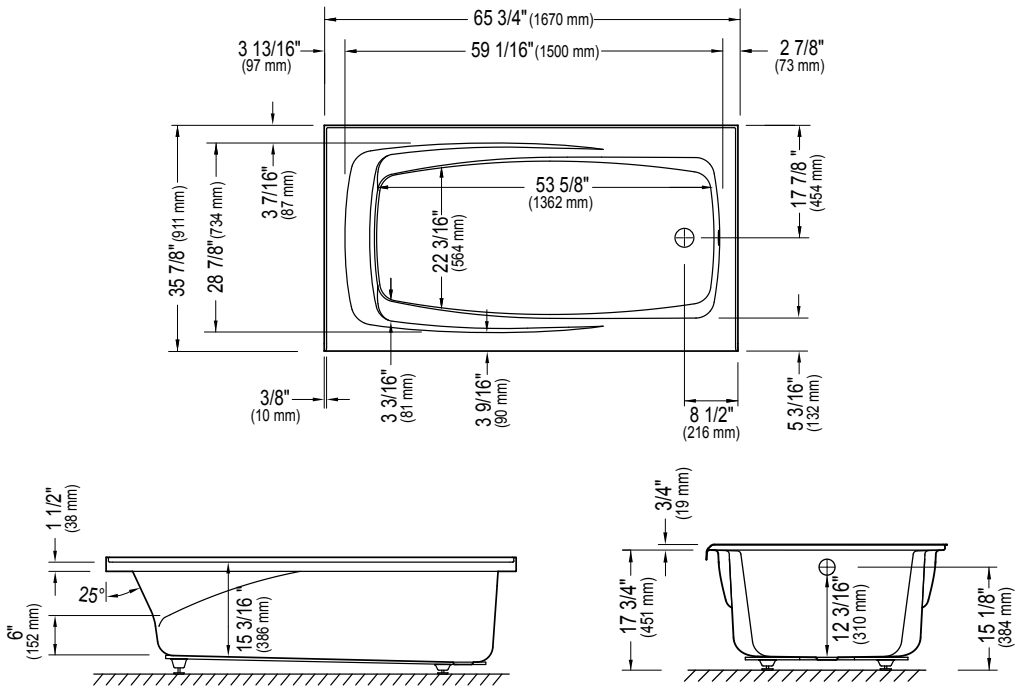
ENTREPRENEUR

6635, Picard street, Saint-Hyacinthe (Quebec) J2S 1H3  
Phone: (450) 773-7058 - Fax: (450) 773-5063  
produitsneptune.com



Produits Neptune

## VELONA 3666 WITH INTEGRATED TILING FLANGE



\*All dimensions are approximate and subject to change without notice.  
Please refer to the installation guide before beginning the installation.